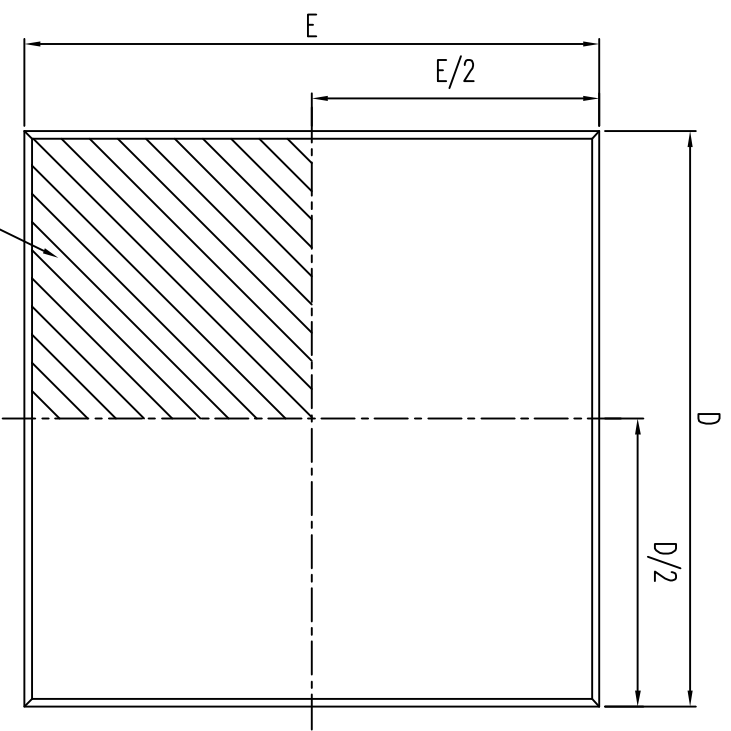
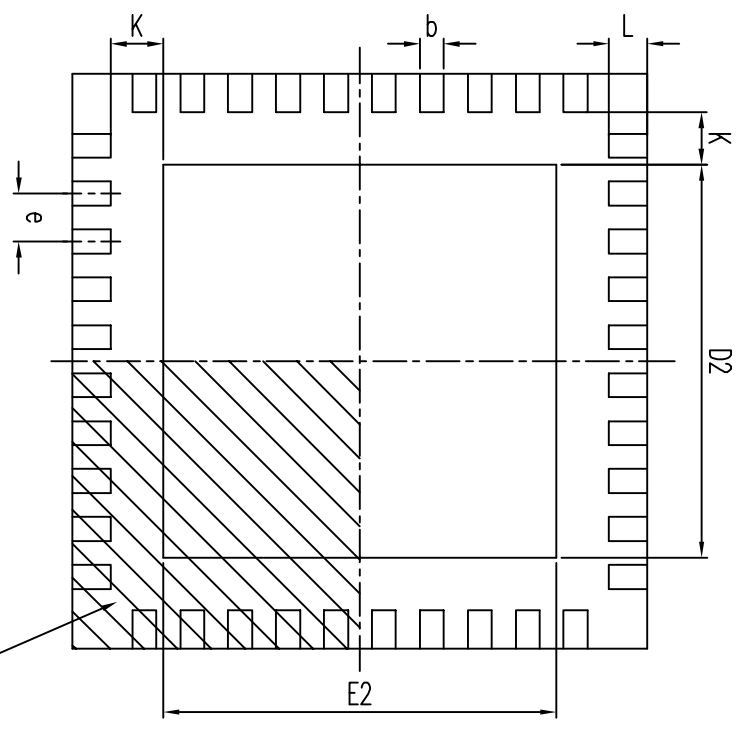


REV.	DESCRIPTION	BY	DATE
ORIG.	DRAWING ISSUE	SANDY CHEN	01.06.2016

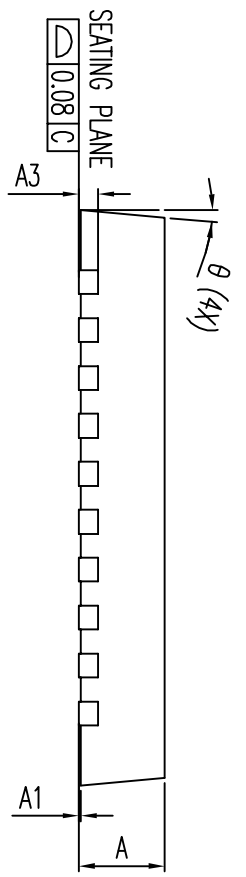
TOP VIEW



BOTTOM VIEW



SYMBOL	DIMENSION IN MM		
	MIN.	NOM.	MAX.
A	0.80	0.90	1.00
A1	0	0.02	0.05
A3	0.20 REF.		
D	6.00 BASIC		
D2	4.50	4.65	4.80
E	6.00 BASIC		
E2	4.50	4.65	4.80
e	0.50 BASIC		
b	0.18	0.25	0.30
L	0.30	0.40	0.50
K	0.20		
θ	0°		14°
JEDEC	MO-220 (Variation VJJD-5)		



SIDE VIEW

Chant World Technology Inc.		<input type="checkbox"/>	
TITLE VOFN 40L PACKAGE OUTLINE BODY SIZE : 6 X 6 MM		XXXXX ±0.005 XXXXX ±0.035 XXXXX ±0.075 XXX ±0.2	ANGULAR ± ROUGH- NESS SCALE 18 : 1
DESIGNED	SANDY CHEN 01.06.2016	UNIT	QTY
CHECKED	SANDY CHEN 01.06.2016	FILE NAME	VOFN40L(6x6x0.85) A3
APPROVED	SANDY CHEN 01.06.2016	DWG. NO.:	CW-PS-012A